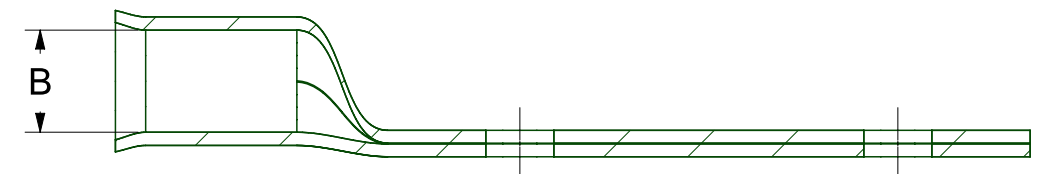
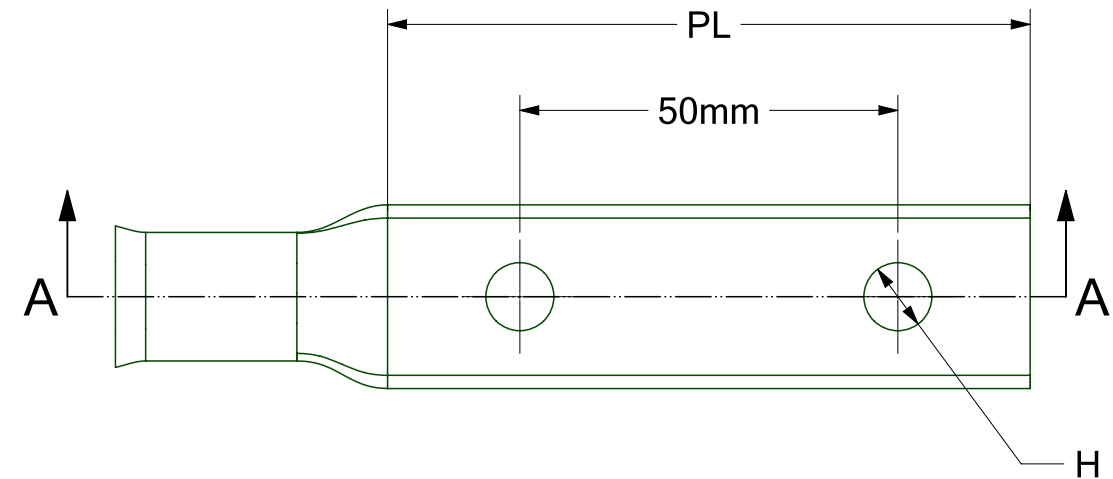
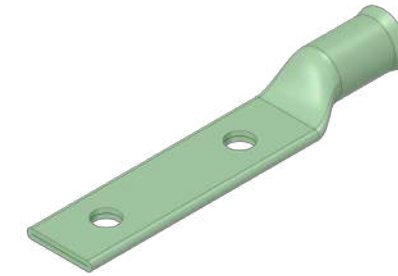


PART NO.	H (mm)	W (mm)	PL(mm)	B (mm)
TC2H-50C-10-8	9.0	14.0	85.0	4.4
TC2H-50C-10-10	11.0	14.0	85.0	4.4
TC2H-50C-10-12	13.0	18.0	85.0	4.4
TC2H-50C-16-8	9.0	14.0	85.0	5.6
TC2H-50C-16-10	11.0	14.0	85.0	5.6
TC2H-50C-16-12	13.0	18.0	85.0	5.6
TC2H-50C-25-8	9.0	14.0	85.0	7.0
TC2H-50C-25-10	11.0	16.0	85.0	7.0
TC2H-50C-25-12	13.0	18.0	85.0	7.0
TC2H-50C-35-8	9.0	15.5	85.0	8.2
TC2H-50C-35-10	11.0	16.0	85.0	8.2
TC2H-50C-35-12	13.0	18.0	85.0	8.0
TC2H-50C-50-8	9.0	17.2	85.0	9.5
TC2H-50C-50-10	11.0	18.0	85.0	9.5
TC2H-50C-50-12	13.0	18.0	85.0	9.5
TC2H-50C-70-8	9.0	21.2	85.0	11.5
TC2H-50C-70-10	11.0	21.2	85.0	11.5
TC2H-50C-70-12	13.0	21.2	85.0	11.5
TC2H-50C-70-14	14.5	21.2	85.0	11.5
TC2H-50C-70-16	16.5	21.2	85.0	11.5
TC2H-50C-95-8	9.0	24.3	85.0	13.5
TC2H-50C-95-10	11.0	24.3	85.0	13.5
TC2H-50C-95-12	13.0	24.3	85.0	13.5
TC2H-50C-95-14	14.5	24.3	85.0	13.5
TC2H-50C-95-16	16.5	24.3	85.0	13.5
TC2H-50C-120-8	9.0	27.2	85.0	15.0
TC2H-50C-120-10	11.0	27.2	85.0	15.0
TC2H-50C-120-12	13.0	27.2	85.0	15.0
TC2H-50C-120-14	14.5	27.2	85.0	15.0
TC2H-50C-120-16	16.5	27.2	85.0	15.0
TC2H-50C-150-8	9.0	30.0	85.0	16.5
TC2H-50C-150-10	11.0	30.0	85.0	16.5
TC2H-50C-150-12	13.0	30.0	85.0	16.5
TC2H-50C-150-14	14.5	30.0	85.0	16.5
TC2H-50C-150-16	16.5	30.0	85.0	16.5

PART NO.	H (mm)	W (mm)	PL(mm)	B (mm)
TC2H-185-8	9.0	33.5	85.0	18.5
TC2H-185-10	11.0	33.5	85.0	18.5
TC2H-185-12	13.0	33.5	85.0	18.5
TC2H-185-14	14.5	33.5	85.0	18.5
TC2H-185-16	16.5	33.5	85.0	18.5
TC2H-240-8	9.0	37.7	85.0	26.0
TC2H-240-10	11.0	37.7	85.0	26.0
TC2H-240-12	13.0	37.7	85.0	26.0
TC2H-240-14	14.5	37.7	85.0	26.0
TC2H-240-16	16.5	37.7	85.0	26.0
TC2H-300-8	9.0	41.0	85.0	28.0
TC2H-300-10	11.0	41.0	85.0	28.0
TC2H-300-12	13.0	41.0	85.0	28.0
TC2H-300-14	14.5	41.0	85.0	28.0
TC2H-300-16	16.5	41.0	85.0	28.0
TC2H-400-8	9.0	47.3	85.0	32.0
TC2H-400-10	11.0	47.3	85.0	32.0
TC2H-400-12	13.0	47.3	85.0	32.0
TC2H-400-14	14.5	47.3	85.0	32.0
TC2H-400-16	16.5	47.3	85.0	32.0
TC2H-500-8	9.0	55.0	85.0	38.0
TC2H-500-10	11.0	55.0	85.0	38.0
TC2H-500-12	13.0	55.0	85.0	38.0
TC2H-500-14	14.5	55.0	85.0	38.0
TC2H-500-16	16.5	55.0	85.0	38.0
TC2H-630-8	9.0	63.0	85.0	44.0
TC2H-630-10	11.0	63.0	85.0	44.0
TC2H-630-12	13.0	63.0	85.0	44.0
TC2H-630-14	14.5	63.0	85.0	44.0
TC2H-630-16	16.5	63.0	85.0	44.0
TC2H-800-8	9.0	70.0	85.0	49.0
TC2H-800-10	11.0	70.0	85.0	49.0
TC2H-800-12	13.0	70.0	85.0	49.0
TC2H-800-14	14.5	70.0	85.0	49.0
TC2H-800-16	16.5	70.0	85.0	49.0

REVISION HISTORY	
1	Original Concept
2	Table update to include full 50C range



SECTION A-A



UOS - LINEAR TOLERANCE
PERMISSABLE DEVIATIONS
FOR SIZE RANGE:
Tolerances according to DIN ISO 2768 (V)

DIMS IN MM	0.5 to 3	>3 to 6	>6 to 30	>30 to 120	>120 to 400	>400 to 1000	>1000 to 2000	>2000 to 4000
	-	±0.5	±1.0	±1.5	±2.5	±4.0	±6.0	±8.0



Total Connections 2009 LTD

www.tc2009.co.uk
sales@tc2009.co.uk
Tel 01249 812 707

Drawing No. TCDR2098

Part No. TC2H-50C-RANGE

Material. CW024A (C106)
COPPER

Finish. 5MICRON ELECTRO
TIN PLATED

SIZE A3
Date 24/06/2021

Created By:
Dan Hewlett

REV 2

SCALE 1:1

SHEET 1 of 1